

Our KVM products are compatible with almost all systems:



KVM Switches



Cabinet Console



KVM Cables



Server Remote Control



DVI KVM Switches

Server Management Solutions

The Technician's Choice for Reliability & Compatibility

KVM Switches

Reliable KVM switches for corporate, industrial and SOHO environments



1U Cabinet Console

Save valuable space with the 1U cabinet console



Server Remote Control

Reliable KVM-Control-over-IP solutions





Enterprise Series KVM Switches

"We tried the StarTech.com solution initially and compared everything to it. There is no way we would deploy any other solution now."

Technical University Delft
(Netherlands)



www.compatible.nl/distribution

For mission-critical data centers

The flagship Enterprise Series KVM switches from StarTech.com set the standard for data center, manufacturing line, and PC test/burn-in computer

Enterprise Series switches deliver unparalleled reliability, with 16 ports that can be cascaded to support up to 136 ports. All Enterprise Series switches are backed by StarTech.com's 3-year warranty and free technical support.

Choose your solution from one of our popular feature models below, or see the complete Enterprise Series online at www.compatible.nl/distribution



16 ports plus USB functionality for up to 136 users when cascaded

- Designed for computers with USB or PS/2 keyboard and mouse connectors
- Works with PC, Mac, and Sun servers and systems
- OS independent operation requires no software
- Convenient on-screen display capability enhances operator control

16 Port StarView 1U Rackmountable PS2+USB KVM Switch
StarTech.com ID: SV1631HD



16 ports supports up to 136 users when cascaded using only 1U of rack space

- Compact 1U slim KVM switch requires minimal rack space
- Works with Dell, Compaq, IBM, and HP servers and systems
- OS independent operation requires no software
- Convenient on-screen display capability enhances operator control

1U 16 Port StarView PS2 KVM Switch
StarTech.com ID: SV1631D1U

StarView KVM Switches

StarTech.com Enterprise KVM Switches
16 Port StarView KVM Switch with OSD
2 Console Shared Access 16 Port StarView KVM Switch
8 Port SUN KVM/CPU Switch
8 Port StarView KVM Switch PS/2 & USB
2 Console Shared Access 8 Port StarView KVM Switch with OSD
8 Port 1U StarView KVM Switch
StarTech.com Enterprise KVM Switch Bundles

ID #
SV1631D
SV1632DS
SV831SUN
SV831HD
SV832DS

SV831D
ID #

4 Port KVM Switch with Remote IP Access
8 Port KVM Switch with Remote IP Access

SV441HDI
SV841HDI

16 Port KVM Switch with Remote IP Access

SV1641HDI

StarTech.com Professional KVM Switches
2 Port StarView KVM Switch-Dual Display
2 Port StarView DVI KVM Switch

ID #
SV221DD
SV221DVI

2 Port StarView DVI KVM Switch Dual Display
2 Port Professional StarView KVM Switch
2 Port DVI + USB KVM Switch with Audio
4 Port StarView KVM Switch
4 Port StarView KVM Switch PS/2 & USB
4 Port StarView KVM Switch with OSD
4 Port StarView KVM Switch-Dual Display
4 Port StarView DVI KVM Switch
4 Port StarView DVI KVM Switch Dual Display
4 Port StarView USB KVM Switch Kit with Cables
2 Port StarView USB KVM Switch Kit with Cables

SV221DVIDD
SV231
SV231UADVI
SV431
SV431H
SV431D
SV421DD
SV421DVI
SV421DVIDD
SV431USB
SV231USB

StarTech.com Economy KVM Switches
2 Port PS/2 StarView KVM Switch Kit with Cables
2 Port StarView Tower Style KVM Switch
4 Port PS/2 StarView KVM Switch Kit with Cables
4 Port StarView Tower Style KVM Switch

ID #
SV211K
SV211KT
SV411K
SV411KT

2 Port Mini PC Switcher with Audio - Built-on-cable
2 Port StarView KVM Switch with Audio
4 Port StarView KVM Switch with Audio
2 port PS/2 Micro KVM switch
2 Port Mini USB KVM Switch with Audio - Built-on-cable
2 Port USB KVM with Integrated Cables and Audio Switching

SV221MICRA
SV211KA
SV411KA
SV221MICRO
SV221MICUSBA
SV221MICROUA

StarTech.com KVM Cables
PS/2 Ultra-Thin 3-in-1 KVM Cable
xx = length Comes in 2, 4, 6, 10, 15, 25, 35, 50 foot lengths
PS/2 3-in-1 Cable
x = length Comes in 6, 10, 15, 25, 35, 50 foot lengths
StarTech.com Cabinet Console

PS23N1THINxx
SVPS23N1_x

1U Cabinet Command Console with 15" TFT Panel
8 Port KVM Switch Module for 1UCABCONS Console
2 User Shared 8 Port KVM Module for 1UCABCONS
16 Port KVM Switch Module for 1UCABCONS Console
1U Cabinet Console for Existing KVM Switches
1U Cabinet Console w. Integrated 8 Port KVM Switch

1U Cabinet Console w. Integrated 16 Port KVM Switch

ID #

1UCABCONS
CAB831D
CAB832DS
CAB1631D
CABCONS1
CABCONS8

CABCONS16

KVM Cables



Ultra-thin construction saves space and a lifetime warranty

- Single cable design improves flexibility
- Coaxial video wires provides crystal clear display quality
- 3-in-1 design reduces tangling

PS/2 Ultra-Thin 3-in-1 KVM Cable
StarTech.com ID: PS23N1THINxx
xx = length Comes in 2, 4, 6, 10, 15, 25, 35, 50 foot lengths

StarTech.com

www.compatible.nl/distribution



For medium to large size office and industrial applications

StarTech.com's Professional Series KVM switches are designed for maximum reliability and performance, even in the most demanding environments.

Professional Series switches combine high functionality with compact design,

and are backed by StarTech.com's 3-year warranty and free technical support.

Choose your solution from one of our popular feature models listed below, or see the complete Professional Series online as www.compatible.nl/distribution

Professional KVM Switches



"The StarTech.com machines are not only suitable for data centre. The performance in a medium network is just as well!"

more information.. www.compatible.nl/distribution

Linux magazine: february 2006



8 ports plus USB functionality

- Designed for computers with USB or PS/2 keyboard and mouse connectors
- Works with PC, Mac, and Sun servers and systems
- OS independant operation requires no software
- Convenient on-screen display capability enhances operator control

8 Port StarView PS2+USB KVM Switch
StarTech.com ID: SV831HD



8 ports solution for server room and industrial environments

- Designed for maximum durability and reliability
- Compatible with Dell, Compaq, IBM, and HP servers and systems
- OS independant operation requires no software
- Convenient on-screen display capability enhances operator control

8 Port StarView KVM Switch with OSD
StarTech.com ID: SV831HD



Compact 4 port KVM solution

- Designed for maximum durability and reliability
- Small footprint saves space
- Compatible with any operating system that supports USB
- No additional software required

4 Port StarView USB KVM Switch
StarTech.com ID: SV431USB

An Integrated KVM Solution for Cabinets!

The 1U integrated cabinet console brings you the ultimate in server room convenience: a 15" flat panel TFT, with keyboard and touchpad, which folds down laptop-style into a 1U drawer in your cabinet.

- Consolidates all your KVM modules into the same 1U of space
- Generate much less heat than CRT displays, reducing cooling costs
- 15" TFT LCD monitor folds down like a laptop

"During our testing period we couldn't discover any disadvantage: everything functioned perfectly. 'this solution keeps everything supercompatible, this console network-KVM-switch is nearly perfect!"

1U Rackmount Integrated LCD Monitor, Keyboard, Touchpad Drawer for Cabinets

StarTech.com ID: 1UCABCONS, 1UCABCONS17
Incl switch: CABCONS1, CABCONS8, CABCONS16



more information.. www.compatible.nl/distribution

Page 3

StarTech.com

www.compatible.nl/distribution

StarTech.com Add-On Modules
8 Port KVM Switch Module for 1U Cabinet Console
16 Port KVM Switch Module for 1U Cabinet Console
2 User Shared 8 Port KVM Module for 1U Cabinet Console
8 Port PS2+USB KVM Switch Module for 1U Cabinet Cons
16 Port PS2+USB KVM Switch Module for 1U Cabinet Cons
1U 16 Port KVM Switch Module for 1U Cabinet Console

StarTech.com ID
CAB831D
CAB1631D
CAB832DS
CAB831HD
CAB1631HD
CAB1631D1U

Server Remote Control integrated in KVM switch



1U Rack mountable 4 Port KVM Switch with Integrated Server Remote Control
KVM control over IP
StarTech.com ID: SV441HDI



1U Rack mountable 8 Port KVM Switch with Integrated Server Remote Control
KVM control over IP
StarTech.com ID: SV841HDI



1U Rack mountable 16 Port KVM Switch with Integrated Server Remote Control
KVM control over IP
StarTech.com ID: SV1641HDI

- Eliminate travel time and expense of maintaining remote servers
- Remotely install an operating system (on properly equipped servers)
- Ideal for ISPs, ASPs and centralized or decentralized datacenters
- Up to 4 remote users can view remote server screen, each with ability to take control at the push of a button
- Multi-layer enterprise security features: SSH support, SSL encryption and a built-in user configurable firewall



External Server Remote Control
KVM control over IP
StarTech.com ID: SV1110IPEXT



PCI card with Integrated Server Remote Control
KVM control over IP
StarTech.com ID: SV1110IPPCI

Compact, Ready to use Economy Series KVM Switches

StarTech.com's Economy KVM Switches are the reliable solution for call center, help desk and SOHO environments. They can also be used to integrate enterprise computer systems together.

- Designed for reliability even in the most demanding environments
- Works with most standard PC and Mac servers

www.compatible.nl/distribution
more information..



StarTech.com ID: SV211K
2 Port KVM switch incl. cables

A ready-to-use, out-of-the-box solution complete with 2-port switch and cables

- The space-efficient design and small footprint keeps the workstation clean and organized
- Designed for reliability
- A cost-effective kit complete with everything you need to get your computers connected



StarTech.com ID: SV221MICRO
2 Port Ultra Compact PC Switcher - Built-on-Cable KVM Switch

Control two PS/2 computers from one console without sacrificing desk space

- Unique Built-on Cable KVM technology makes it the smallest 2 port KVM switch in the world
- Ultra thin high-quality mini coaxial cables improves flexibility and reliability
- Compatible with all operating systems

DVI KVM Switches



StarTech.com ID: SV221DVI
StarTech - 2 Port StarView DVI KVM Switch



StarTech.com ID: SV221DVIDD
StarTech - 2 Port StarView DVI KVM Switch with Dual Display



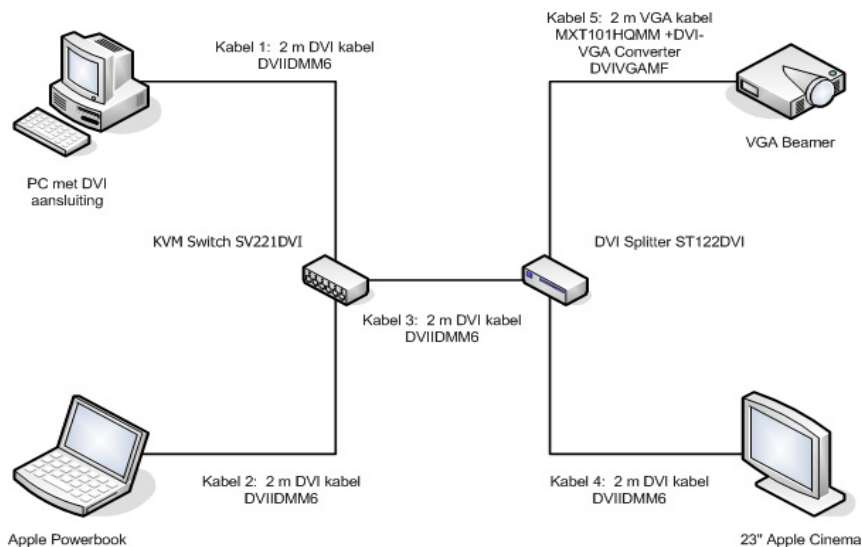
StarTech.com ID: SV421DVIDD
StarTech - 4 Port StarView DVI KVM Switch with Dual Display

share one flat panel monitor, PS/2 keyboard, and PS/2 mouse between two computers, so you'll be able to sit back and enjoy razor-sharp digital images while effortlessly flipping between your PCs.

www.compatible.nl/distribution

- DVI-I interface technology supports both digital and analog video signal transmission
- All cables are connected to the rear for a more secure and neat connection
- Supports PS/2 keyboards and mouse including M/S IntelliMouse (Pro), Explorer and Optical mice
- Keyboard and mouse allow for hot plugging without having to turn either the KVM or the PC off

- Operating system independent, compatible with all operating systems
- Front panel LED`s indicate which computer is active
- Supports high digital resolution of up to 1280x1024 and analog resolution of up to 1920x1440
- Power-free operation draws power from your computers PS/2 port and requires no power



Benodigdheden:

- 1 x SV221DVI
- 1 x ST122DVI
- 4 x DVIIDMM6
- 1 x DVIVGAMF
- 1 x MXT101HQMM



StarTech.com ID: SV231UADVI
StarTech - 2 Port DVI + USB KVM Switch with Audio

More information...

www.compatible.nl/distribution

You use a computer with DVI because you want the sharpest video possible. Why settle for an analog KVM switch? StarTech.com's SV231UADVI is a complete multimedia switching solution. It natively supports DVI video and USB peripherals, hotkey support, and includes audio switching and a integrated 2 port switching USB hub for the flexibility you need. All these features come in a rugged, compact form factor that won't eat up your valuable desk space.

Applications and Solutions

- Control up to two DVI and USB-enabled computers using a single keyboard, mouse, monitor, and set of speakers
- Compact, small form factor design
- Includes audio switching and hotkey support
- Integrated switching USB hub
- Native DVI and USB support

Desktop Series KVM Switches (USB)



StarTech.com ID: - SV411KT
4 Port StarView Tower Style KVM Switch

StarTech.com's desktop KVM Switches are the reliable solution for small networks e.g. accountants, graphics, students, etc..

- Designed for reliability even in the most demanding environments
- Works with most standard PC and Mac servers



StarTech.com ID: - SV221MICROUA
2 Port USB KVM with Integrated Cables and Audio Switching

StarTech.com's 2 port retail KVM Switches are the reliable solution for the home office.

- USB and Audio
- Hotkey commands
- Pushbutton on switch
- Bios operated